

# Smart LED Driver

Design and Quality EASEIC of USA

# LNN118

## Smart E-Professional DRIVER

### SPEC SHEET



18W 3-62V 180-900mA E-Pro

LNN118

611118



**SELV RoHS**

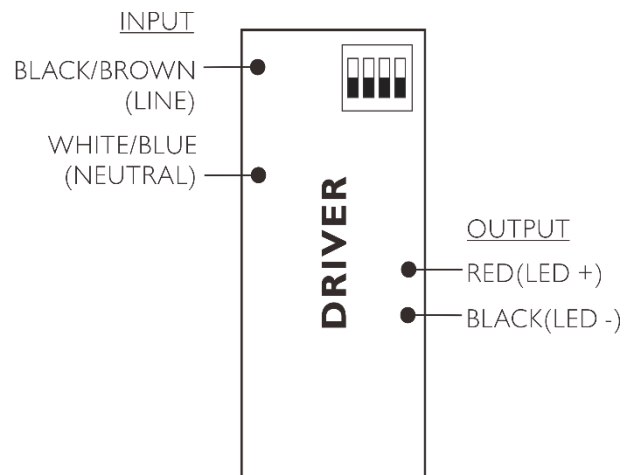
### Features

- Multilevel current output, Constant current output 180-900mA
- Multi-power driver supplied with dip-switch for the selection of the output current
- Universal AC input (90~265Vac)
- Designed for LED lighting applications
- UL Class 2 output, Class 2 protection against electric shock for direct or indirect contact
- Supplied with terminal cover and cable retainer.
- Driver can be secured with slot for screws.
- Protections: Short circuit , Over voltage, Over Current
- 5 year warranty

### Benefits

- Enables design of low profile and compact fixtures
- Helps to maximize energy savings and allows application specific light levels

### Wire Diagram



### Note:

Install in accordance with National and Local Electrical Codes.

Use 16-24 AWG solid copper wire rated  $\geq 300V/85^{\circ}C$ .

Strip wire 3/8".

Please pay special attention to wiring installation guidelines, Wrong wiring will cause damage to the LED driver.

Before connection the power, make sure you have access to the LED load.

# LNN118

## Smart E-Professional DRIVER

### SPEC SHEET

#### Electrical Specifications

<b>Ordering Information</b>			
Type	LNN118		
Order Code	611118		
Full product name	Smart 18W 3-62V 180-900mA E-Pro		
<b>Input Information</b>			
Line Voltage	100-240Vac_rms		
Line Current	0.22A@100VAC	0.18A@120VAC	0.10A@230VAC
Line Frequency	50/60Hz		
Min, Mains Voltage operational	90[min]		
Max, Mains Voltage operational	265[max]		
THD(total)	<20%		
Power Factor(PF)	>0.92		
Input Power (Max.)	21.8W		
Efficiency @Max Load and 70°C case	87%@100VAC	87%@120VAC	87%@230VAC
Inrush Current(Typ.)	Cold Start 55A(twidth=270us measured at 50% Ipeak) at 230VAC		
Leakage Current(Typ.)	<0.5mA/230VAC		
<b>Output Information</b>			
Output Power	18W(See Output current settings table)		
Output voltage	3V to 62V		
Output Constant Current	180-900mA ±5%(See Output current settings table)		
Maximum open circuit voltage	<60V		
Output Current Ripple (ripple=peak to peak)	2% of nominal output voltage (whichever is greater), measured at 20Mhz bandwidth with 0.1uf ceramic capacitor in parallel with 10uf electrolytic capacitor connected at the end of the output connector.		
Protections	Over Current, Over Voltage, Short Circuit and Open Circuit Protection for LED+ and LED-		
Ambient Temp Range	-20°C to +50°C, 20-95% RH non-condensing		
Max Case Temperature(Tc)	75°C for Life & 85°C for UL Safety		
<b>Environment &amp; Approbation</b>			
Environmental Protection Rating	UL damp and dry		
Agency Approbations	UL8750,UL1310, CSA-C22.2 No.250.0-08,ENEC EN61347-1,EN61347-2-13 independent,EN62384,TUV EN60950-1		
Electromagnetic Compliance	FCC Title 47 Part 15 Class A Compliance to EN55015,EN61000-3-2 Class C(@100% Load);en6100-3-3 Compliance to EN61000-4-2,3,4,5,6,8,11;EN61547,EN55024, light industry level(surge 2KV), criteria A		
Audible noise	<24dB Class A		
<b>Other information</b>			
Dimension	167x39x30mm (LxWxH)		
Packing	0.15Kg(0.37lbs); 42Pcs/7.1kg(15.2Lbs)		

All the specifications are typical and at 25 °C Tcase unless specified otherwise

# LNN118

## Smart E-Professional DRIVER

### SPEC SHEET

### Output Current Settings

LNN118, Constant Current output 180-900mA.

Multi-power driver supplied with dip-switch for the selection of the output current.

Factory default setting is 180mA.

LNN118		DIP-Switch Settings				
Pout Max.	Vout DC	Iout DC	1	2	3	4
11W	3-62V	180mA	--	--	--	
15W	3-62V	250mA	ON	--	--	
18W	3-52V	350mA	--	ON	--	
18W	3-45V	400mA	--	--	ON	
18W	3-40V	450mA	--	--	--	ON
18W	3-35V	520mA	ON	--	--	ON
18W	3-33V	550mA	--	ON	ON	--
18W	3-30V	600mA	--	ON	--	ON
18W	3-28V	650mA	--	--	ON	ON
18W	3-26V	700mA	ON	ON	--	ON
18W	3-22V	820mA	--	ON	ON	ON
18W	3-20V	900mA	ON	ON	ON	ON

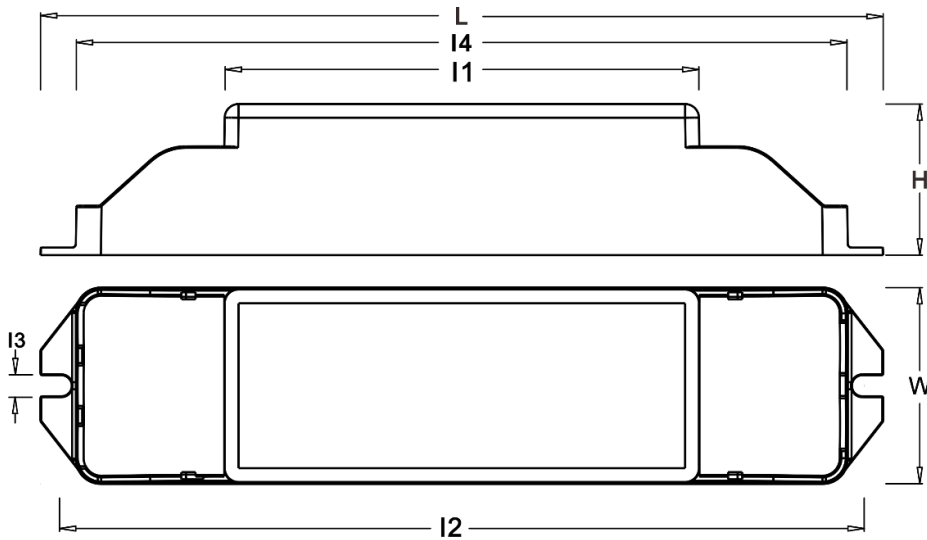
### Suggested max. number of the LNX units that can be connected to a MCB@230VAC

MCB	B10	B16	C10	C16
LNN118	18	26	28	38

Note: These calculated values are based on MCB S201 series manufactured by ABB

#### Mechanical Specifications

#### Mechanical Drawing:



#### Dimensions

	In.	mm
Case Length(L)	6.6	167
Case Width(W)	1.5	39
Case Height(H)	1.2	30
Mounting Holes(I1)	3.8	95
Mounting Holes(I2)	6.3	160
Mounting Holes(I3)	0.18	4.5
Mounting Holes(I4)	6.0	154
Overall Length	6.6	167



© Copyright 2013 EASEIC INC.  
All rights reserved. Rev A2.0  
Data is subject to change without notice.  
www.easeic.com

**Easeic Inc.**  
27 Hall Street, Brooklyn, NY 11205  
Tel.: 1-718-243-9388  
Fax: 1-718-243-9403  
Customer Support  
Customer Care: 1-646-4029788  
E-Mail: ny@easeic.com

**Easeic Asia Limited.**  
Rm. 19C, Lockhart Ctr., 301- 307  
Lockhart Rd.,Wan Chai, Hong Kong  
Tel.: 852-6955-8075  
Fax: 852-6915-3639  
E-Mail: info@easeic.com

**Easeic Sci-tech Co., Ltd.**  
Building 6,Huangzhou Industrial  
Zone, Chebei Road, Tianhe  
District, Guangzhou, China, 510660  
Tel.: 86-20-8230-9676  
Fax: 86-20-8230-9677  
E-Mail: sales@easeic.com